

Horizon Digital Combination Locks

Flush Fitting

Fitting Instructions

The Horizon Digital Combination Lock can be fitted to cupboards, cabinets and lockers etc. as an original fitment, or as a direct replacement for existing cam locks.

Special Notes

Before installing the Horizon Digital Combination Lock, load the battery and familiarize yourself with the operation and programming.

Unless manufactured to special order, the lock is supplied in the "PRIVATE" operating mode with a four-digit code.

In this mode, the user must enter a four-digit User Code to open it. The unit will re-lock itself after four seconds. The lock can be opened at any time using the Master Code.

Unless manufactured to special order, the default **Master Code** is **11 33 55 77** and the default **User Code** is **22 44**.

These codes are common to all standard locks and it is very important that you set your own personal Master and User Codes.

Your lock is not secure until you have changed the default Master Code and User Code.

Keep a safe record of your master code as it is not possible to make any programming changes without it.

Please see programming guide to set your own codes.

Installation Guide

ENSURE BATTERY IS FITTED BEFORE FIXING TO CLOSURE

Flush Fixing (See diagrams)

- Step 1** Place template on door and mark the cut-out shape. (See installation template for details).
- Step 2** Cut the hole in the door panel.
- Step 3** Fit the Digital Combination Lock to the door.
- Step 4** Position the clamp box over the rear of the lock. The clamp box is available in three different sizes and should be selected according to the door panel thickness to ensure that the shortest possible box is used and that the lock is not loose in the door panel.
- Step 5** Fit and tighten the fixing nut and fixing screw. The length of the fixing screw should be selected according to the door panel thickness to give a nominal insertion depth of 8mm into the lock.

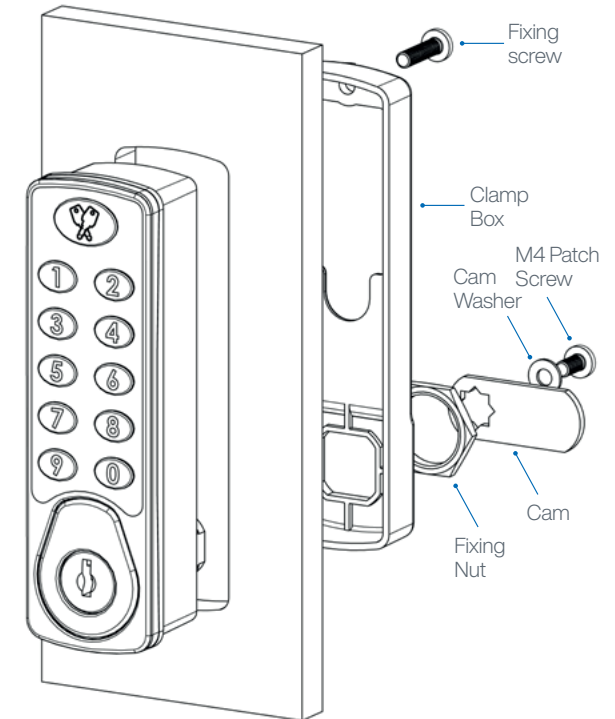
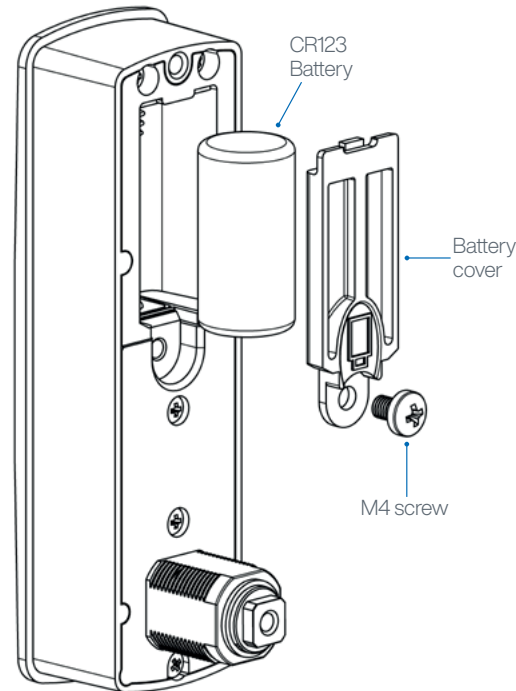
Step 6 Select the cam which suits your door and frame and attach it to the square shaft at the end of the spindle using the **M4 patch screw** and flat washer provided.

Step 7 Check the operation of the lock using the factory User Code 22 44.

Step 8 If the lock is functioning correctly, **CHANGE THE DEFAULT MASTER CODE (11 33 55 77) AND THE DEFAULT USER CODE (22 44)** and program the lock using the programming and operating instructions.

Inserting Battery

- Step 1** Remove all packaging.
- Step 2** Insert battery CR123. As shown.
- Step 3** Secure battery with battery cover.
- Step 4** M4 screw



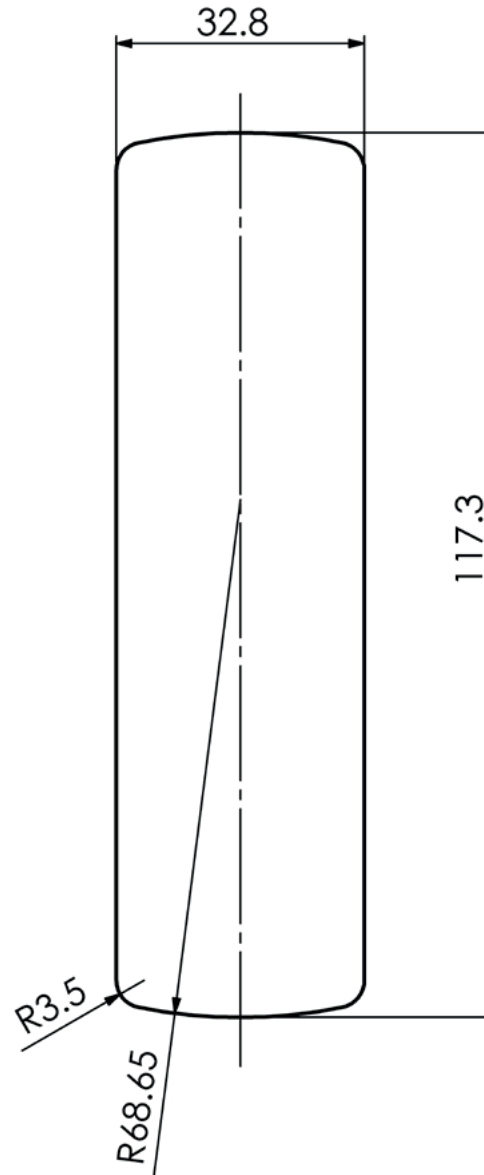
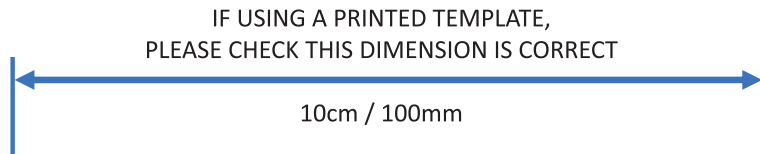
Horizon Digital Combination Locks

Flush Fitting

IMPORTANT NOTE

Before drilling fixing holes, please ensure that the position of the lock when fitted will allow clearance for the cam to function.

Please check that template is correct size before use – copies can be distorted.



LOWE & FLETCHER LTD

Moorcroft Drive, Wednesbury, West Midlands, WS10 7DE, UK
Tel: +44 (0) 121 505 0400
Email: sales@lowe-and-fletcher.co.uk
www.lowe-and-fletcher.co.uk

LOWE & FLETCHER, INC.

650 Airport Place, Norton Shores, MI-49441, Michigan, USA
Tel: +1 (616) 994 0490
Email: sales@loweandfletcherinc.com
www.loweandfletcherinc.com

EURO-LOCKS SA NV

Rue de la Fontaine 8, 6600 Bastogne, Belgium
Tel: +32 61 212 261
Email: sales@euro-locks.be
www.euro-locks.be

EURO-LOCKS SA

1 Rue du Stade, 57730 Folschviller, France
Tel: +33 (0) 3 87 92 61 11
Email: euro-locks@euro-locks.fr
www.euro-locks.fr

EURO-LOCKS GMBH

Am Bruchwald 22, 66280 Sulzbach/Neuweiler, Germany
Tel: +49 (0) 6897 9072 0
Email: vertrieb@euro-locks.de
www.euro-locks.de

EURO-LOCKS SP. Z O.O.

ul. Pawła 29, 41-708 Ruda Śląska, Poland
Tel: +48 (32) 344-78-70, -82, -84
Email: sekretariat@euro-locks.pl
www.euro-locks.pl